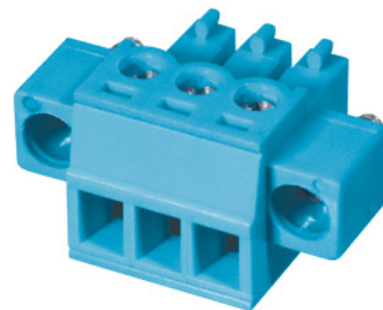


SERIES: TBP02P1W-381 | **DESCRIPTION:** TERMINAL BLOCK**FEATURES**

- 2~24 poles
- 180° insertion entry
- mating flange
- 3.81 mm pitch
- UL and CE safety approvals

**SPECIFICATIONS**

parameter	conditions/description	min	typ	max	units
rated voltage (per contact)	UL			300	V
	IEC			250	V
rated current (per contact)	UL			8	A
	IEC			7	A
withstanding voltage			2000		Vac
surge voltage				4000	V
contact resistance				20	mΩ
insulation resistance	at 500 Vdc	500			MΩ
operating temperature		-40		105	°C
safety approvals	UL 1059, EN 60998-1:2004, EN 60998-2-1:2004				
flammability rating	UL94V-0				
RoHS	yes				

PART NUMBER KEY**TBP02P1W-381 - XX XX**

Base Number

No. of Poles:

02	10	18
03	11	19
04	12	20
05	13	21
06	14	22
07	15	23
08	16	24
09	17	

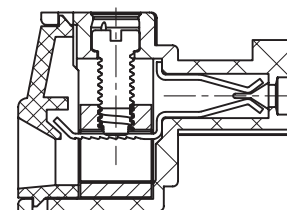
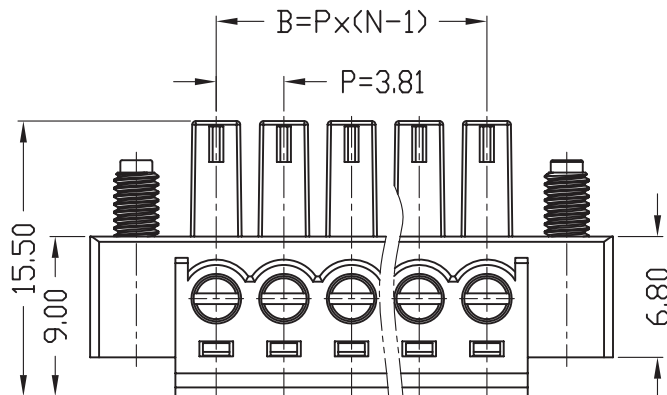
Color:

*BE = blue
 GR = green
 OR = orange
 YL = yellow
 GY = gray
 BK = black

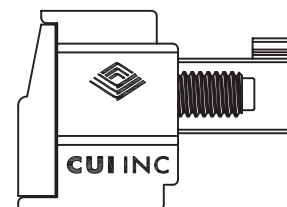
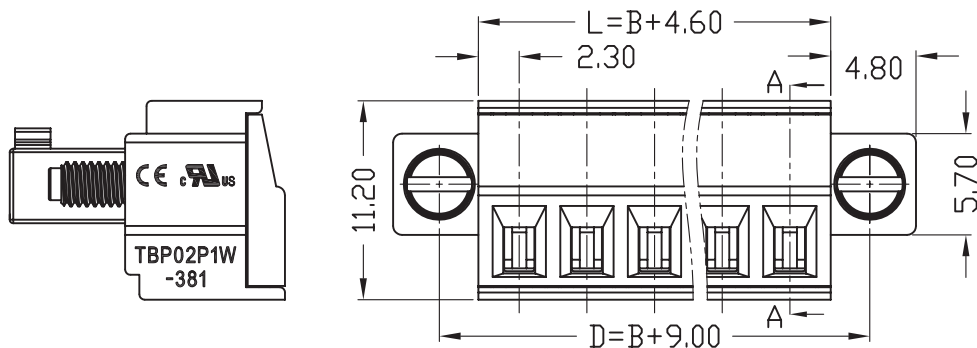
MECHANICAL DRAWING

units: mm
 tolerance (per module):
 $X \leq 6.00$: ± 0.25 mm
 $6.00 < X \leq 30.00$: ± 0.40 mm
 $30.00 < X \leq 60.00$: ± 0.60 mm
 $60.00 < X \leq 150.00$: ± 1.00 mm
 unless otherwise noted

DESCRIPTION	MATERIAL	PLATING/COLOR
housing	PA66 (UL94V-0)	
contacts	copper alloy	nickel
wire screws	steel	zinc
locking screws (M2.5, 0.4 N·m)	steel	zinc
cage	copper alloy	nickel



SECTION A-A



WIRE ASSEMBLY		
	UL	IEC
Wire Range	28~16 AWG	1.5 mm ²
Strip Length	7 mm	
Screw Size	M2	
Screw Torque	0.2 N·m	

This series is constructed of single piece modules where L is the total length, P is the pitch, and N is the number of poles.

N	02	03	04	05	06	07	08	09	10	11	12	13
L	8.41	12.22	16.03	19.84	23.65	27.46	31.27	35.08	38.89	42.70	46.51	50.32
B	3.81	7.62	11.43	15.24	19.05	22.86	26.67	30.48	34.29	38.10	41.91	45.72
D	12.81	16.62	20.43	24.24	28.05	31.86	35.67	39.48	43.29	47.10	50.91	54.72
N	14	15	16	17	18	19	20	21	22	23	24	--
L	54.13	57.94	61.75	65.56	69.37	73.18	76.99	80.80	84.61	88.42	92.23	--
B	49.53	53.34	57.15	60.96	64.77	68.58	72.39	76.20	80.01	83.82	87.63	--
D	58.53	62.34	66.15	69.96	73.77	77.58	81.39	85.20	89.01	92.82	96.63	--

REVISION HISTORY

rev.	description	date
1.0	initial release	03/27/2019
1.01	brand update	02/06/2020
1.02	updated datasheet	04/21/2020

The revision history provided is for informational purposes only and is believed to be accurate.

CUI DEVICES

CUI Devices offers a one (1) year limited warranty. Complete warranty information is listed on our website.

CUI Devices reserves the right to make changes to the product at any time without notice. Information provided by CUI Devices is believed to be accurate and reliable. However, no responsibility is assumed by CUI Devices for its use, nor for any infringements of patents or other rights of third parties which may result from its use.

CUI Devices products are not authorized or warranted for use as critical components in equipment that requires an extremely high level of reliability. A critical component is any component of a life support device or system whose failure to perform can be reasonably expected to cause the failure of the life support device or system, or to affect its safety or effectiveness.

Mouser Electronics

Authorized Distributor

Click to View Pricing, Inventory, Delivery & Lifecycle Information:

CUI Devices:

[TBP02P1W-381-06BE](#) [TBP02P1W-381-02BE](#) [TBP02P1W-381-08BE](#) [TBP02P1W-381-05BE](#) [TBP02P1W-381-12BE](#)
[TBP02P1W-381-10BE](#) [TBP02P1W-381-16BE](#) [TBP02P1W-381-04BE](#) [TBP02P1W-381-03BE](#)